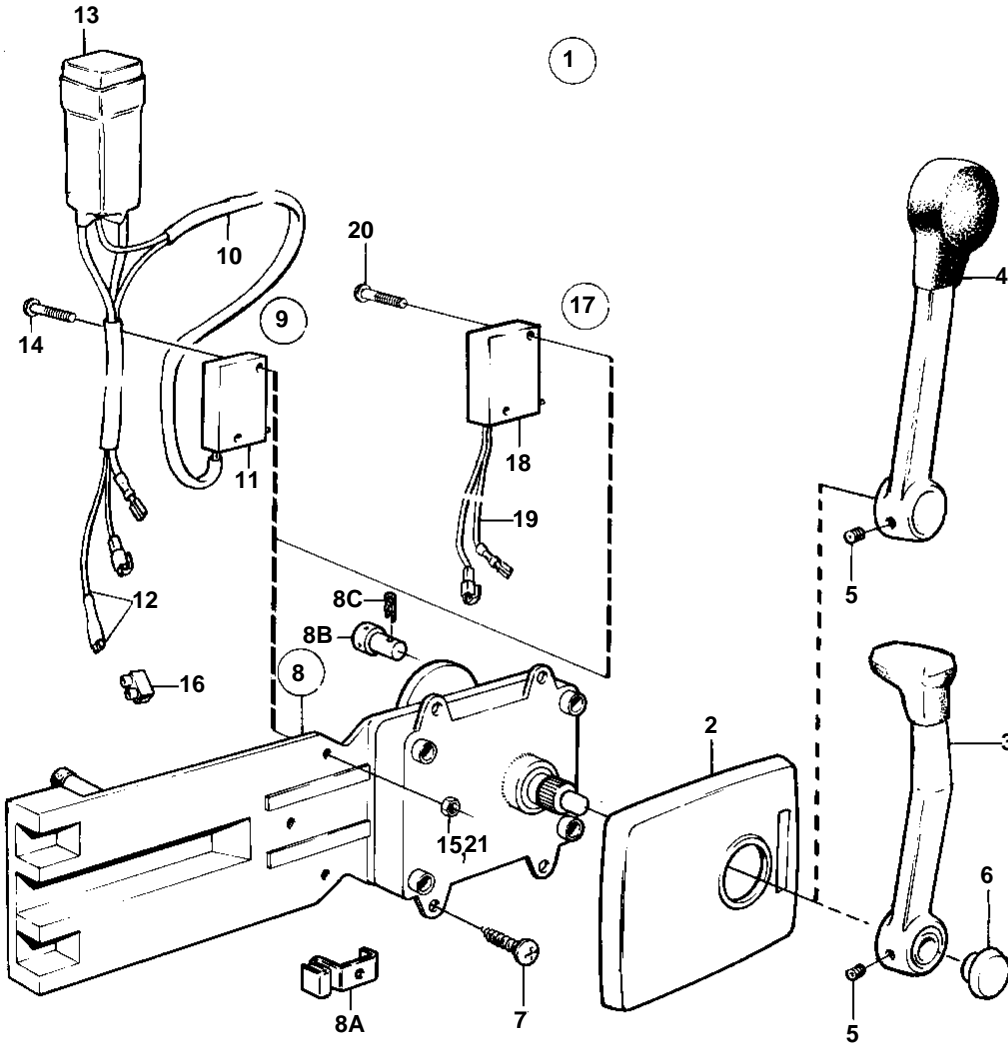


COMMON



8302

COMMON

REF	PART NO.	QTY	DESCRIPTION	NOTES
1	853102	1	Mounting kit	FOR MOTOR BOAT.
2	839518	1	• Cover	
3	852348	1	• Lever	
5	963678	1	• Screw	
6	853004	1	• Push button	
7	955142	4	• Screw	
8	851601	1	Control	
8A	853423	1	• Retainer	
8B	839638	2	• Cube	
8C	17253	2	• Cotter pin	
9	839641	1	Neutral posit contac	MAIN STATION.
10	839619	1	• Cable kit	
11		1	• • SWITCH	
12		X	• • CABLES AND TERMINALS	SEE GROUP 3
13	1501832	1	• Relay	
14	946177	2	• Screw	
15	947536	2	• Nut	
16	182009	1	• Coupling piece	
17	828414	1	Neutral posit contac	MAIN STATION.
	828378	1	Switch	SECOND STATION.
18	850200	1	• Switch	
19		X	• CABLES AND TERMINALS	SEE GROUP 3
20	946177	2	• Screw	
21	947536	2	• Nut	